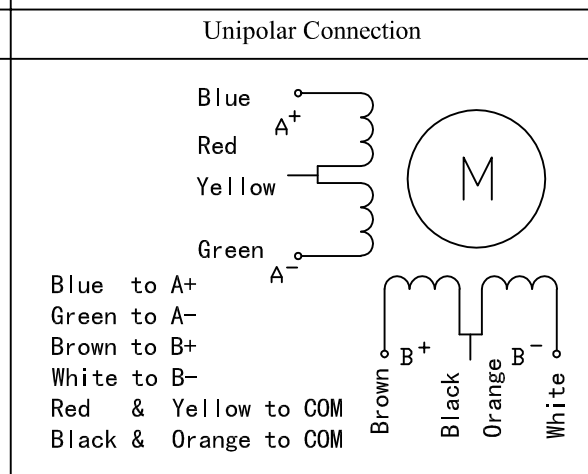
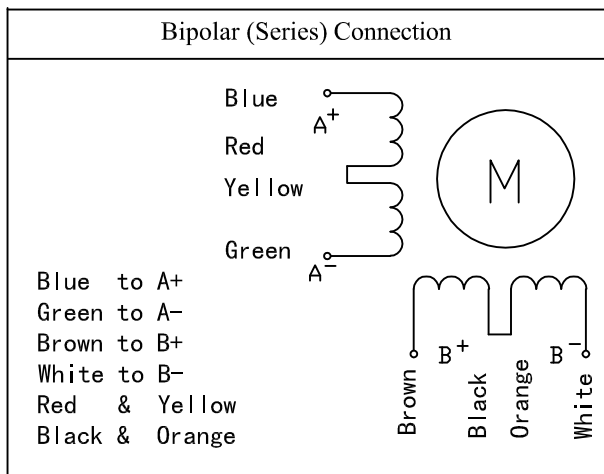
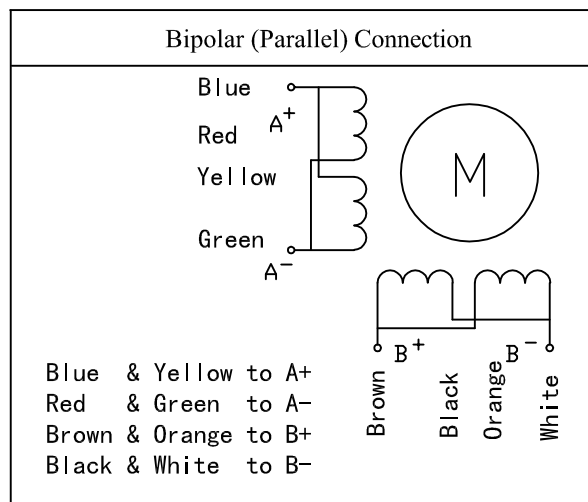
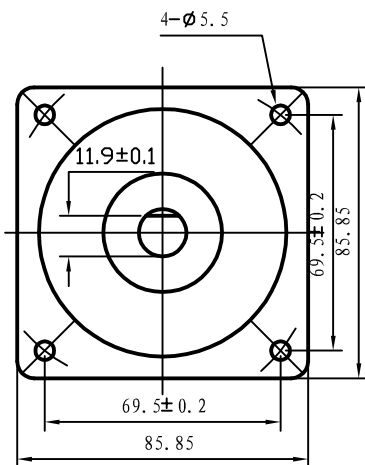
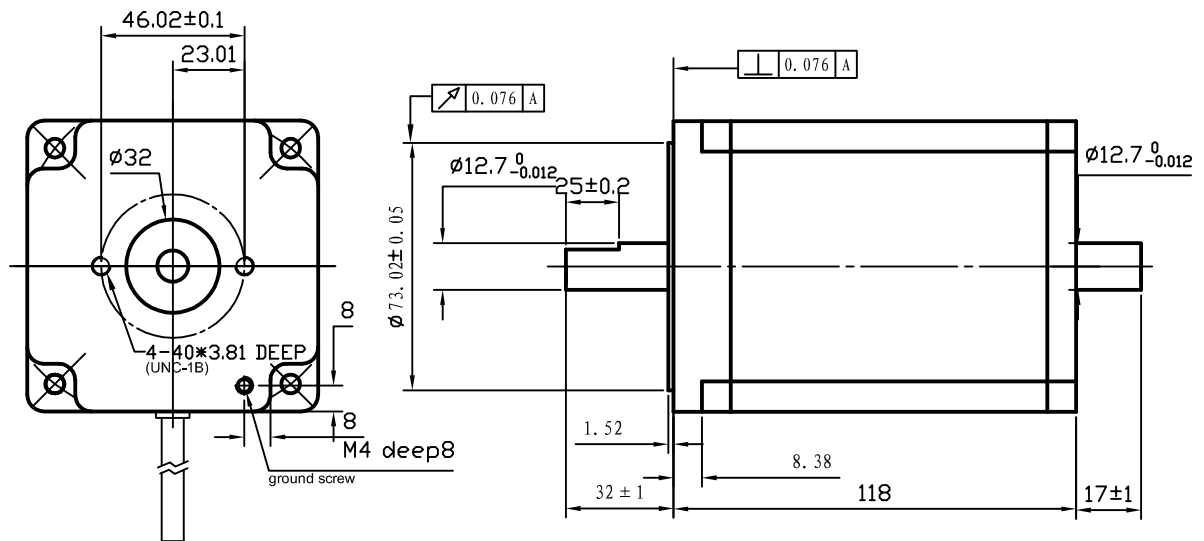


Hybrid Stepper Motor

KL34H2120-42-8B

UNIT=MM:



STEP ANGLE	CONNECTION STYLE	CURRENT	RESISTANCE	INDUCTANCE	HOLDING TORQUE	ROTOR INERTIA	WEIGHT
DEG/STEP		A	ohms	mH	OZ-IN	gcm ²	Kg
1.8	Parallel	6	0.58	6.3	1200	2700	3.8
	Series	3	2.24	25.2			
	Unipolar	4.2	1.12	6.3	857		