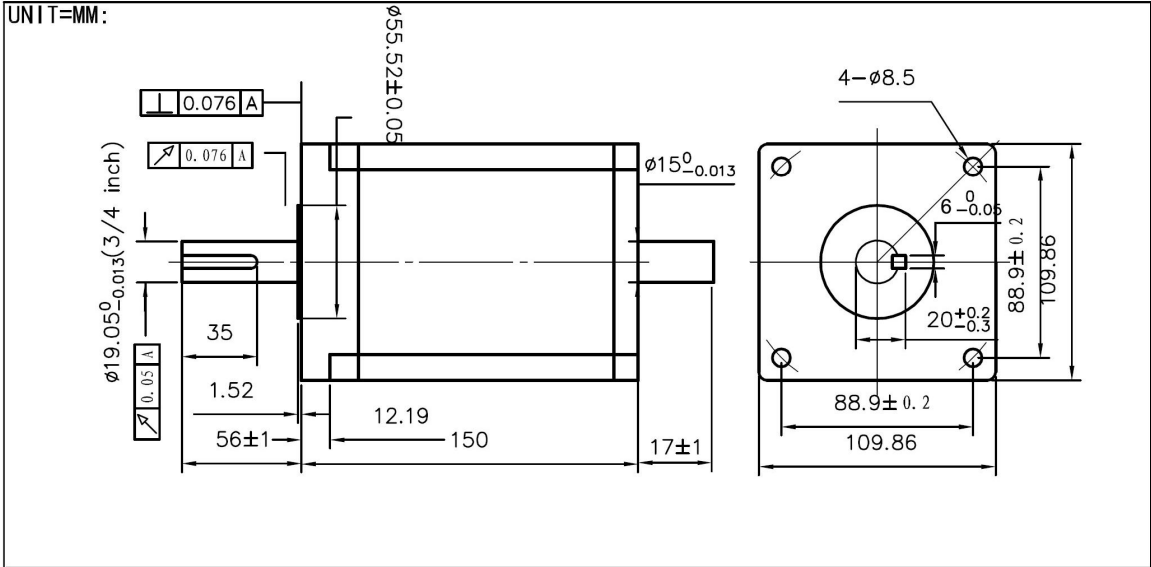


Hybrid Stepper Motor

KL42H2150-42-8B



	STEP PHASE	CURRENT /PHASE	RESISTANCE /PHASE	INDUCTANCE /PHASE	HOLDING TORQUE	ROTOR INERTIA	WEIGHT
	DEG/STEP	A	ohms	mH	OZ-IN	gcm ²	Kg
Unipolar	1.8	4.2	1.8	16	2100	10900	8.4
Bipolar (Series)		3.0	3.6	64	2830		
Bipolar (Parallel)		6.0	0.9	16	2830		

