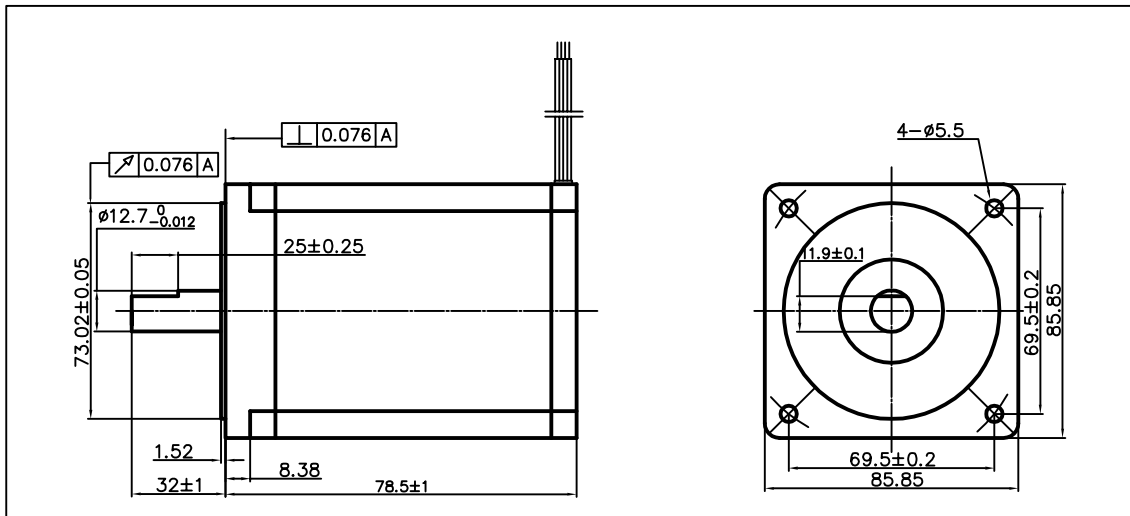


# HYBRID STEPPER MOTOR

## KL34H280-45-4A

DIMENSIONS : UNIT=MM



### COMMON RATINGS:

Step angle: 1.8° Positional accuracy: ±5% Number of Phase: 2 Temperature rise: 80° C Max Inertia: 1600 gcm <sup>2</sup>	Dielectric strength: 500VDC Insulation resistance: 100MΩ(500VDC) Radial play: 0.025mm Max. (load 450g) Insulation class: B Weight: 2.4kg
---	--

### SPECIFICATIONS:

VOLTAGE	CURRENT	RESISTANCE	INDUCTANCE	HOLDING TORQUE
V	A	ohms ±10%	mH ±20%	OZ-IN ±10%
4.05	4.5	0.9	6.8	640

### WIRING DIAGRAM :

