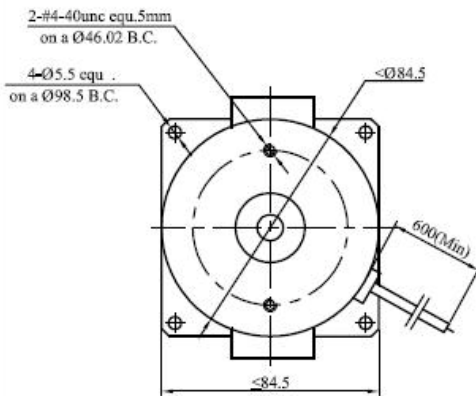
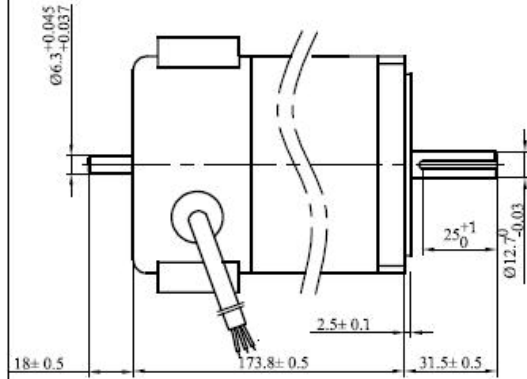
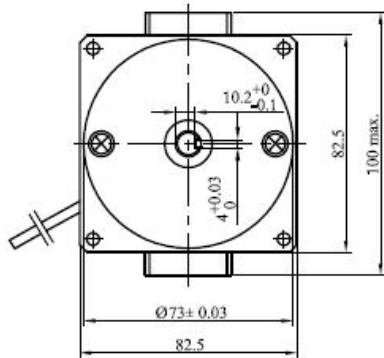


# DC SERVO Motor

## KL34-170-90

UNIT=MM:



### -Skewed Rotor Design

- constant torque: 1.2 N.m ( 170 oz-in)
- peak torque: 6.0 N.m (850 oz-in)
- max. speed at voltage constant: 4200 rpm
- terminal voltage: 90 VDC
- continuous current: 7.5A
- peak current: > 30 A
- torque constant (KT): 0.1791 Nm/am
- voltage constant(KE): 18.75 V/100rpm
- resistance: 0.85 ohm
- inductance: 2.35 mh
- inertia: 3.39 kg/cm<sup>2</sup>
- weight: 4kg