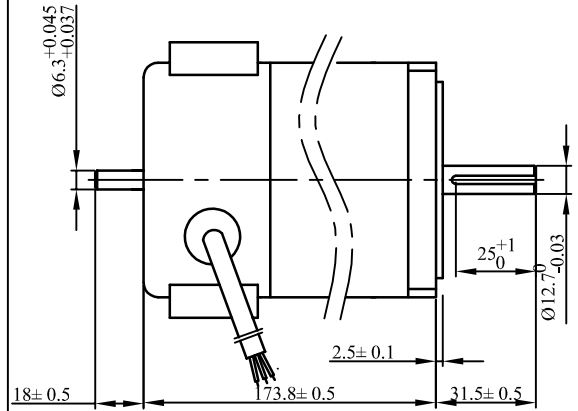
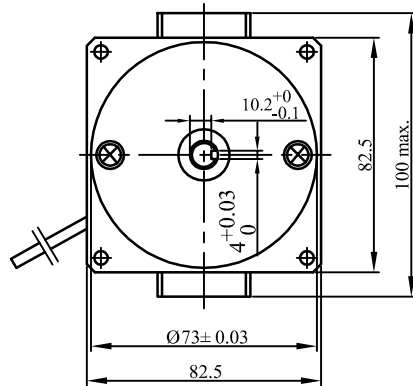


DC SERVO Motor

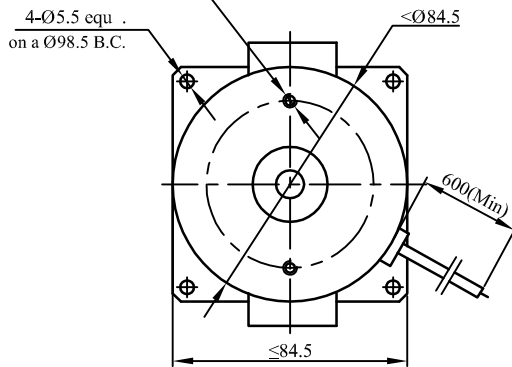
KL34-170-72

UNIT=MM:



2-#4-40unc equ.5mm
on a Ø46.02 B.C.

4-Ø5.5 equ .
on a Ø98.5 B.C.



-Skewed Rotor Design

-constant torque: 1.2 N.m (170 oz-in)

-peak torque: 6.0 N.m (850 oz-in)

-max. speed at voltage constant: 4200 rpm

-terminal voltage: 72 VDC

-continuous current: 8.8A

-peak current: > 40A

-torque constant (KT): 0.14 Nm/am

-voltage constant (KE): 15 V/100rpm

-resistance: 0.52 ohm

-inductance: 1.8 mh

-inertia: 3.39 kg/cm²

-weight: 4kg