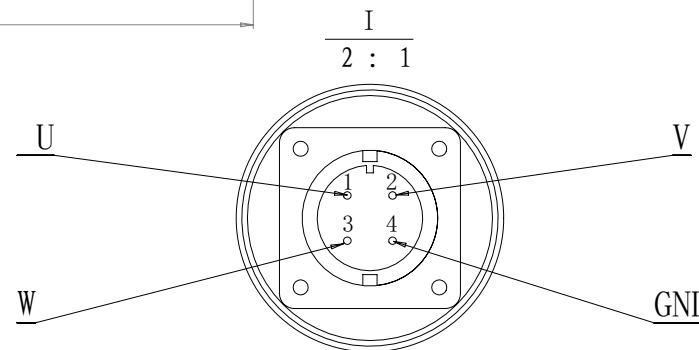
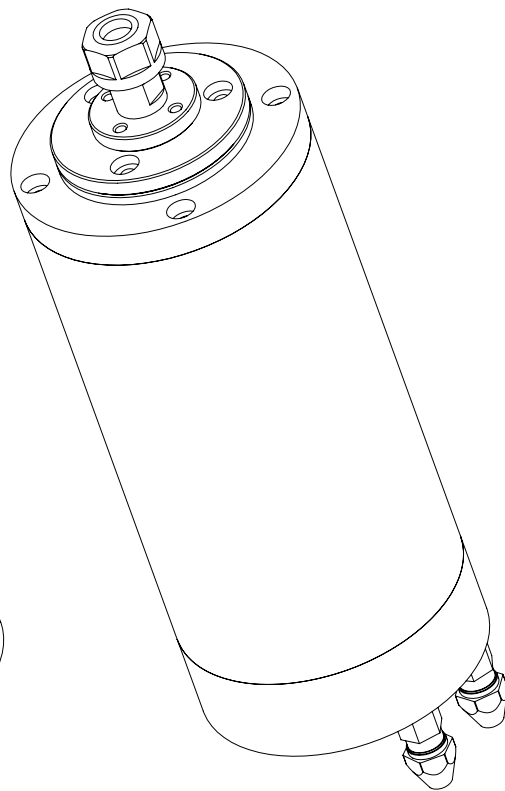
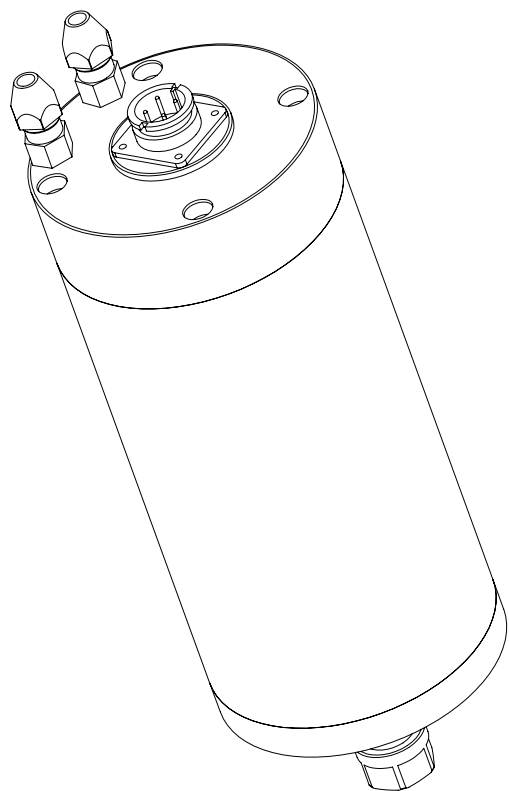
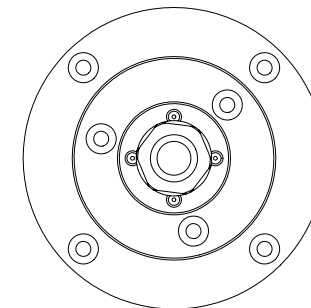
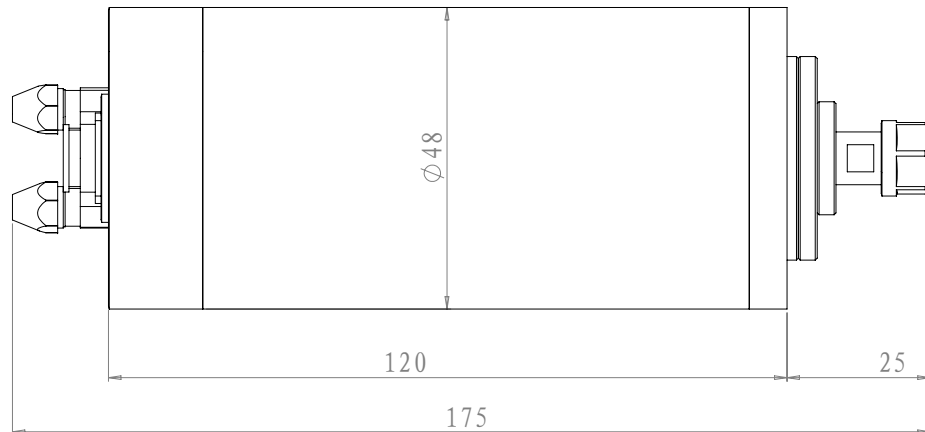
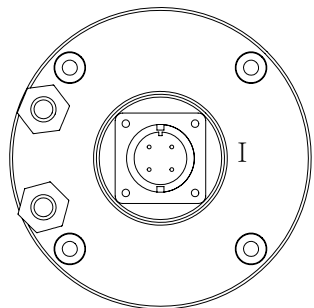


KL-300



OD=48 MM , 120 MM length

Voltage: 75V

Speed: 10000-60000 R/min

Power: 300 W

Frequency: 160-1000 Hz

Water Cooling, ER collet chuck

Grease Lubrication, NSK Bearing

Keling Technology Inc
www.kelinginc.net