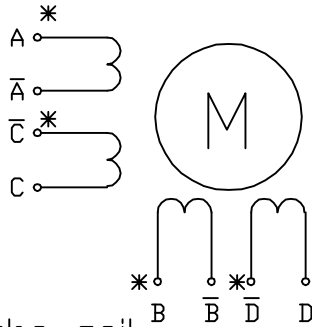


MODEL	PHASE	STEP ANGLE	RATED VOLTAGE	CURRENT /PHASE	RESISTANCE /PHASE	INDUCTANCE /PHASE	HOLDING TORQUE	ROTOR INERTIA	WEIGHT
		DEG /STEP	V	A	Ω	mH	N. m	$g \cdot cm^2$	Kg
Unipolar	4	1.8	6.0	2.0	3.0	6.8	2.15	840	1.4
Bipolar(P)	2		4.17	2.8	1.5	6.8	3		
Bipolar(S)	2		8.4	1.4	6.0	27.2	3		

Wiring Diagram:

- A:BLU/WHT
- \bar{A} :BLU
- \bar{C} :RED/WHT
- C:RED
- B:GRN/WHT
- \bar{B} :GRN
- \bar{D} :BLK/WHT
- D:BLK



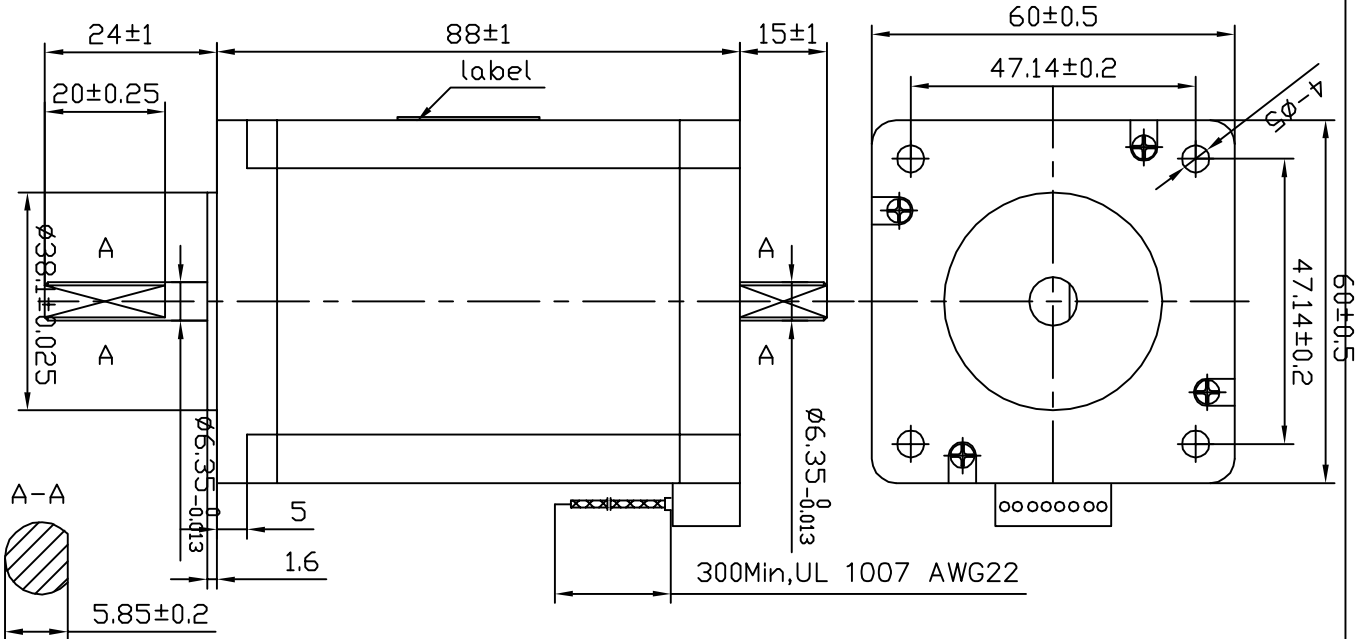
*start of the coil

FULL STEP, PARALLEL BIPOLAR

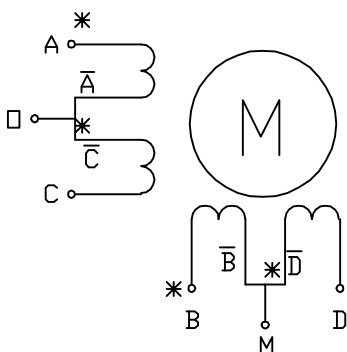
CW DIRECTION	STEP	blu/wht red/wht A	blu red C	grn/wht blk/wht B	grn blk D
↓	1	+		+	
	2		+	+	
	3		+		+
	4	+			+
	1	+		+	

CW ,VIEW FROM FLANGE SIDE

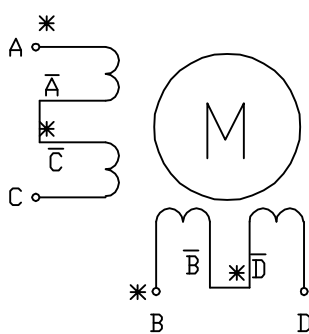
Dimension:



Unipolar



Bipolar(series)



Bipolar(parallel)

