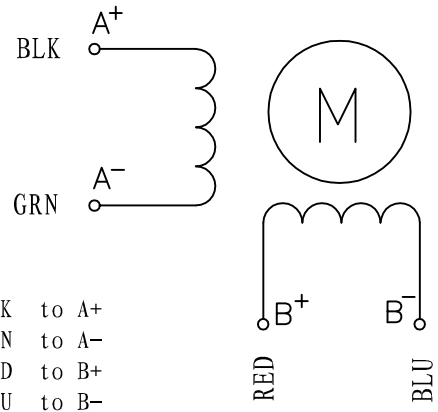
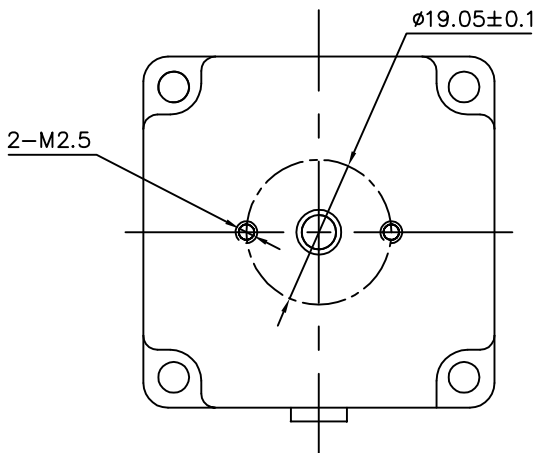
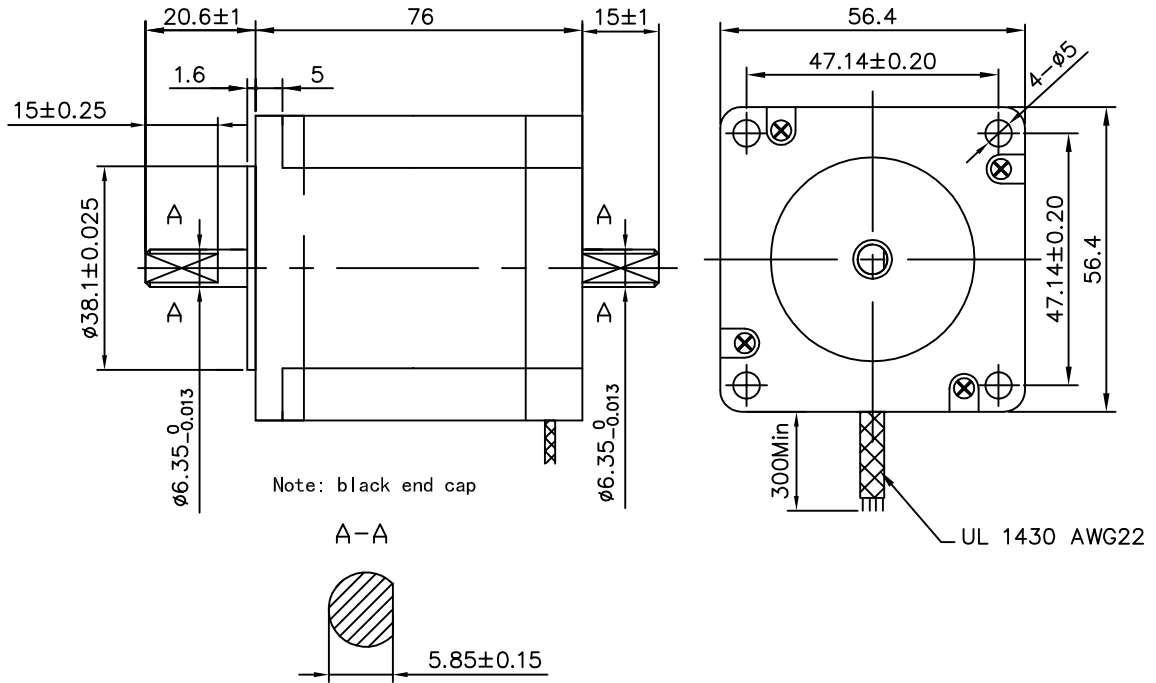


Hybrid Stepper Motor

KL23H276-28-4B

UNIT=MM:



BLK to A⁺
GRN to A⁻
RED to B⁺
BLU to B⁻

MODEL	PHASE	STEP PHASE	RATED VOLTAGE	CURRENT /PHASE	RESISTANCE /PHASE	INDUCTANCE /PHASE	HOLDING TORQUE	ROTOR INERTIA	WEIGHT
		DEG/STEP	V	A	ohms	mH	OZ-IN	gcm ²	Kg
	2	1.8	3.2	2.8	1.13	3.6	270	480	1