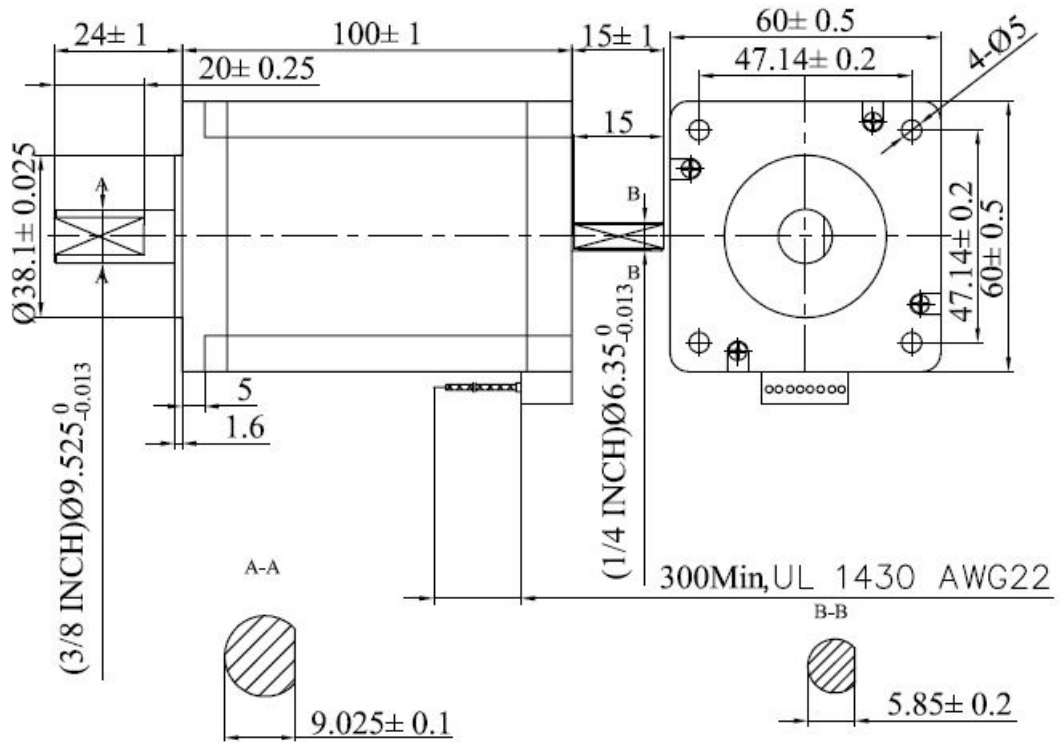


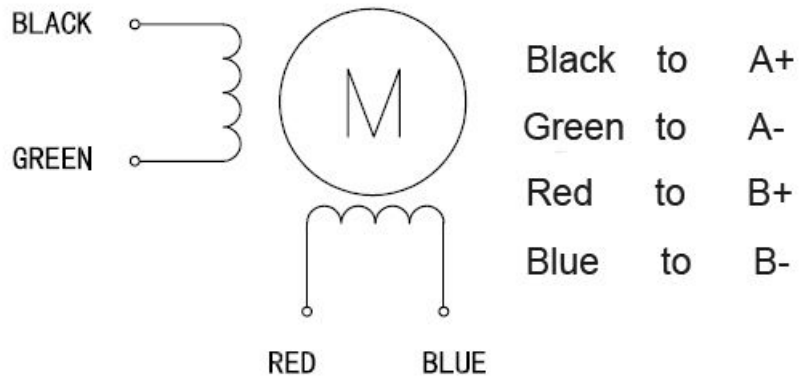
Hybrid Stepper Motor

KL23H2100-50-4B

Dimension:



MODEL	PHASE	STEP ANGLE	RATED VOLTAGE	CURRENT /PHASE	RESISTANCE /PHASE	INDUCTANCE /PHASE	HOLDING TORQUE	ROTOR INERTIA	WEIGHT
		DEG /STEP	V	A	ohms	mH	OZ-IN	g cm^2	Kg
	2	1.8	3.0	5.0	0.6	2.5	570		



1430-AWG18#LENGTH310mm