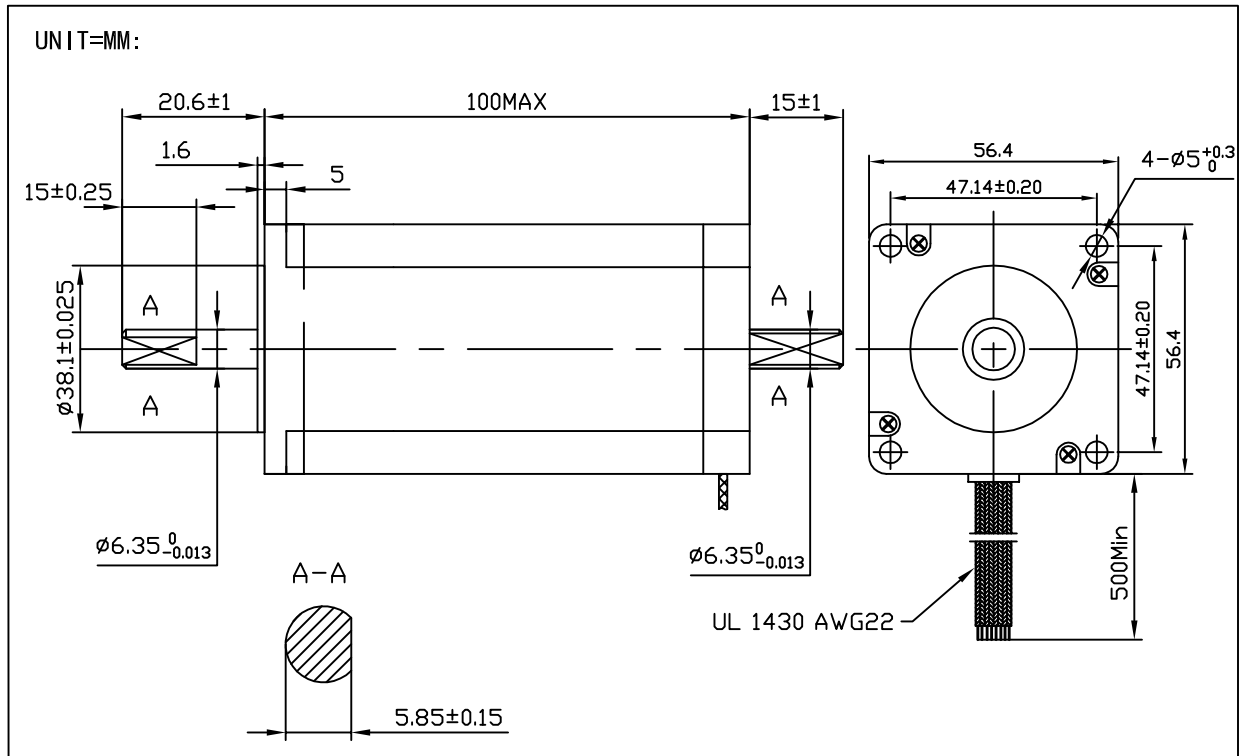


# Hybrid Stepper Motor

## KL23H2100-35-4B



PHASE	STEP ANGLE	RATED VOLTAGE	CURRENT	RESISTANCE	INDUCTANCE	HOLDING TORQUE	WEIGHT
	DEG/STEP	V	A	ohms	mH	OZ-IN	Kg
2	1.8	2.55	3.5	0.73	2.8	381	1.5

