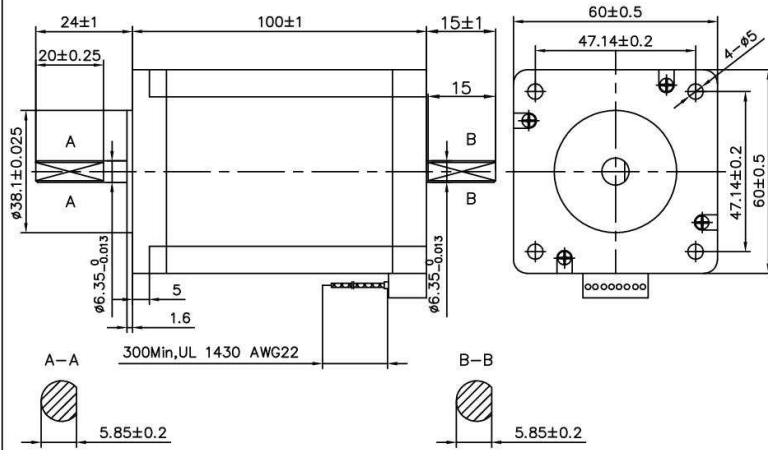


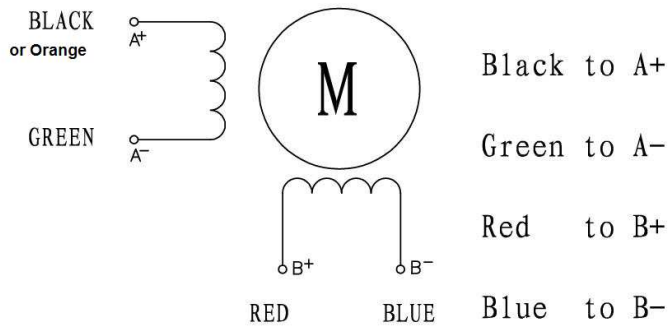
Hybrid Stepper Motor

KL23H2100-30-4B

UNIT=MM



MODEL	PHASE	STEP ANGLE	RATED VOLTAGE	CURRENT /PHASE	RESISTANCE /PHASE	INDUCTANCE /PHASE	HOLDING TORQUE	ROTOR INERTIA	WEIGHT
		DEG /STEP	V	A	Ω	mH	oz-in	g cm	Kg
	2	1.8	5.1	3.0	1.7	7.0	382		



1430-AWG18#LENGTH310mm